

Small size standard AC current sensor for PCB mounting

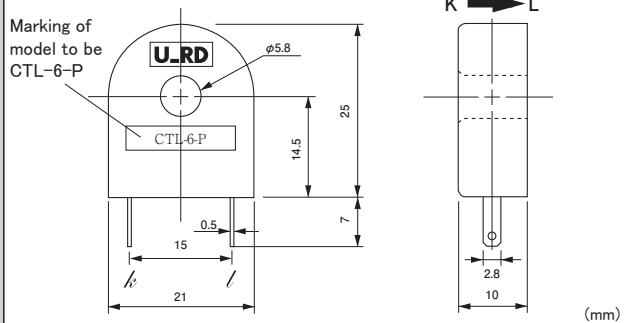


Model CTL-6-P-H

[Features]

- Generic type for general industrial machine such as heater, motor, and so on. Best seller model more than 1 million cumulative production. (PCB mounting type)
- Covering the wide range of 0.1A~80A, though small product as aperture diameter $\phi 5.8$ and mass approximately 12g.
- Possible to interface with electrical circuit directly by 800:1 high current ratio
- #110 standard tab for output terminal. Possible to correspond to soldering to PCB and wire

[Outline drawing]

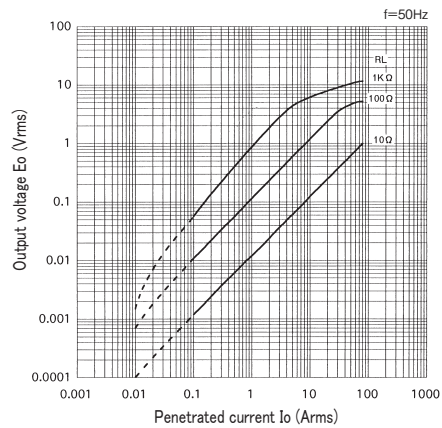


[Specification] Ta=25°C

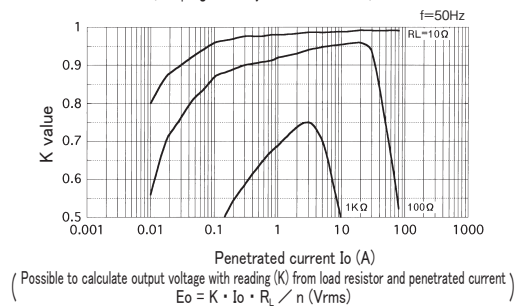
Model	CTL-6-P-H
Primary current	0.1 ~ 80Arms (50 / 60Hz)、 $R_L \leq 10 \Omega$
Maximum primary current	80Arms continuous
Output characteristics	Refer "Output voltage characteristics"
Linearity	Refer "Coupling efficiency [K] characteristics" (Use the flat range of [K] characteristic in the application as the linear sensor)
Secondary windings (n)	800 ± 2 turn
Secondary windings resistance	39 Ω (reference)
Withstand voltage	AC2000V(50/60Hz), 1min(between aperture and output terminal in a lump)
Insulation resistance	DC500V, $\geq 100M \Omega$ (between aperture and output terminal in a lump)
Operating temperature	-20°C ~ +75°C, $\leq 80\%RH$, no condensation
Storage temperature	-30°C ~ +90°C, $\leq 80\%RH$, no condensation
Structure	PBT plastic case, potted by epoxy on one side
Output terminal	#110 faston terminal, tin plating
Mass	approximately 12g

- Remark (1) Output voltage is changed by the penetrated current/load resistor/[K] characteristic and so on. Please set up the condition for use with careful investigation of each characteristic
- Please use with enough margin if the range of coupling efficiency $[K] \leq 0.9$, because it is the range to happen the individual difference.
 - Opening the secondary during turn ON is hazardous and the cause of failure, because of generating high voltage
 - Please surely ask to our technical consulting service, if the power measurement is thought.
 - Please be careful of CT heating in case to use with high frequency, although this CT is basically used at 50/60Hz.
 - Refer Appendix-1 accessories list for accessories

[Output voltage characteristics]



[Coupling efficiency (K) characteristics]



[Frequency characteristics]

