

φ 12, miniaturized AC current sensor of wire type for output

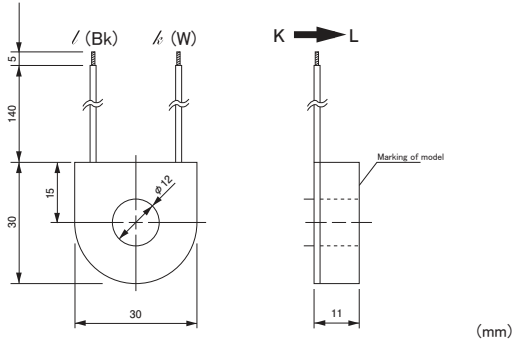


Model CTL-12L-10

[Features]

- Miniaturized model of same electrical specification with same winding wire turn (1000 turn) as generic & standard medium size current sensor (CTL-12-S36-10), but primary current until 150A
- Miniaturized design as slimmed outline and mass, with keeping φ 12 for aperture diameter
- Wire type for output, and easy for assembling with any connector or extended wire
- Possible to correspond to structure of pin terminal for PCB mounting

[Outline drawing]

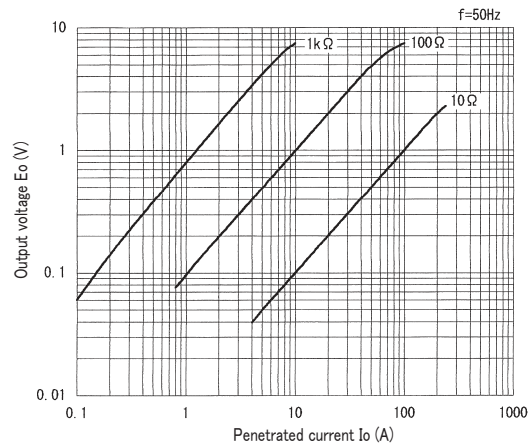


[Specification] Ta=25°C

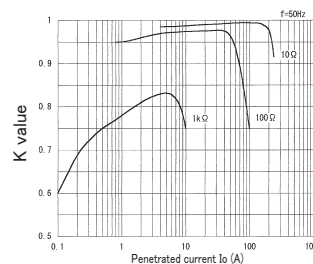
Model	CTL-12L-10
Primary current	0.1 ~ 150Arms (50 / 60Hz)、 $R_L \leq 10\Omega$
Maximum primary current	180Arms continuous
Output characteristics	Refer "Output voltage characteristics"
Linearity	Refer "Coupling efficiency [K] characteristics" (Use the flat range of [K] characteristic in the application as the linear sensor)
Secondary windings (n)	1000 ± 2 turn
Secondary windings resistance	29 Ω (reference)
Withstand voltage	AC2000V(50/60Hz), 1min(between aperture and output wire in a lump)
Insulation resistance	DC500V, ≥100MΩ (between aperture and output wire in a lump)
Operating temperature	-20°C ~ +75°C, ≤80%RH, no condensation
Storage temperature	-30°C ~ +90°C, ≤80%RH, no condensation
Structure	PBT plastic case
Output wire	UL1007 Vinyl wire(AWG26X140L)
Mass	approximately 20g

- Remark (1) Free direction for setting. Fastening with plastic band, if fixing.
- (2) Opening the secondary during turn ON is hazardous and the cause of failure, because of generating high voltage
- (3) Please surely ask to our technical consulting service, if the power measurement is thought.
- (4) Please be careful of CT heating in case to use with high frequency, although this CT is basically used at 50/60Hz.

[Output voltage characteristics]



[Coupling efficiency (K) characteristics]



(Possible to calculate output voltage with reading (K) from load resistor and penetrated current)
 $E_o = K \cdot I_o \cdot R_L / n$ (Vrms)

[Frequency characteristics]

