

# Undercurrent alarm

With external sensor, Undercurrent alarm, corresponding type to high current, 5A ~ 200A programmable system

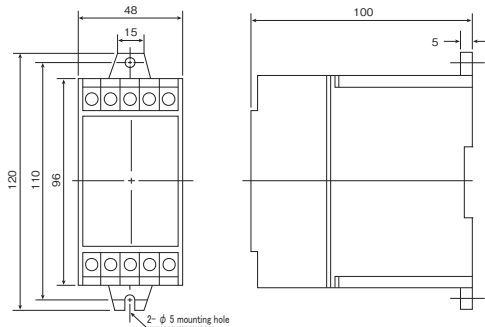


Model CRY-CPX

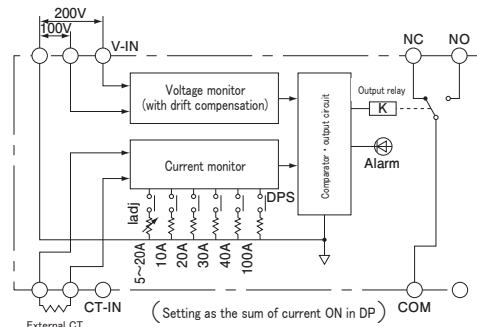
### [Feature]

- At the time of lack of current but existing voltage, system to decide as disconnection (unsupported for cycle control)
- With unnecessary structure for external control power supply, corresponding type to small current with external sensor
- Possible to share power supply with 100V/200V tap
- Possible to set with 5A ~ 200A programmable system for operating point
- There is LED for operating display, so easy to set operating point
- Alarm output is 1 transfer contact without voltage.

### [Outline drawing]



### [Connection]



### [Specification] Ta=25°C

Model	CRY-CPX
Power supply	Common use of AC100V/200V, 50/60Hz (Choice of voltage terminal)
Set up current	5A ~ 200A (Possible to set as the sum of current ON in 6 bits DPS)
Accuracy	Set up current $\pm 5\%$
Accessory current sensor	CTL-12-S36-10 (max primary current 240A continuous) with receptacle
Operational hysteresis range	Recovery with set up current +5%
Power supply voltage compensation	Compensation operating point proportional to power supply voltage change ( $\pm 10\%$ )
Output specification	Relay contact output (AC125V/0.5A, DC24V/1A $\cos \phi = 1$ )
Response time	$\leq 100\text{ms}$ (In case of set up current more than 50% of actual load)
Operating temperature	$-10^\circ\text{C} \sim +50^\circ\text{C}$ , no condensation
Screw torque	M4 : $0.7\text{N} \cdot \text{m}$ , M3 : $0.3\text{N} \cdot \text{m}$
Mass	Body approximately 220g, accessory CT approximately 57g

### [Remark]

- (1) Possible to set operating point roughly by 10A step in the range of 10A ~ 200A with dip switch
- (2) For detail setting of partial disconnection, please use dip switch of Iadj (5A ~ 20A) together
- (3) For setting operating point in the status of actual operation, it will be stable operation with enough margin, by the value of around -10% of set up current as LED on of front panel.
- (4) Enlarge the corresponding range to be 200% of displayed current, with the sensor of (2000:1) current ratio
- (5) For corresponding to thick wire, compatible characteristic with same current ratio (1000:1) of large aperture sensor
- (6) In the case to apply split sensor, select CTL-CL series (easy order) with (200A/0.2A) current ratio
- (7) For 3 phase load, please use 2 sets of Undercurrent alarm between (R-S) and (S-T) in principle
- (8) **Circuit is power supply non isolation system. Don't earth CT terminal absolutely.**
- (9) Impossible to use for secondary of inverter
- (10) For sine wave current. Operating point to be changed by distorted current waveform
- (11) No function of self-holding

Alarm equipment