

# HCK Series Specifications

MECHANICAL	
ANGLE OF MOVEMENT	90° (45° EACH DIRECTION)
EXPECTED CYCLE LIFE	5 MILLION
CENTERING	SPRING RETURN
MATERIAL	GLASS/MINERAL FILLED NYLON
BREAK OUT TORQUE	0.13 lbFin
MAX. ALLOWABLE TORQUE	50 lbFin

MOLEX 510210400 CONNECTOR		
PIN #	WIRE COLOR	DESCRIPTION
1	N/A	N/A
2	YELLOW	SENSOR
3	BLACK	GROUND
4	RED	POWER (+5V)

ELECTRICAL	
SENSOR TYPE	HALL EFFECT
RESOLUTION	12 BIT
SUPPLY VOLTAGE	5VDC ± 0.01VDC
OUTPUT VOLTAGE	SEE OPTIONS
RETURN TO CENTER VOLTAGE	± 50mV
OVERVOLTAGE MAX.	20VDC
REVERSE POLARITY MAX.	-10VDC

ENVIRONMENTAL	
OPERATING TEMPERATURE	-10°F TO 185°F
STORAGE TEMPERATURE	-40°F TO 185°F
IP SEALING ABOVE PANEL	IP67
EMC IMMUNITY LEVEL	EN61000-4-3 *Compliance to 30A/m
EMC EMISSIONS LEVEL	EN61000-6-3
ESD IMMUNITY LEVEL	EN61000-4-2 *Compliance to ±15kV/±8kV
VIBRATION TESTING	Per SAE J1455 Section 4.9 & MIL-STD810G 514.6
MECHANICAL SHOCK	Per SAE J1455 Section 4.10 & MIL-STD-202G



10" CABLE PROVIDED

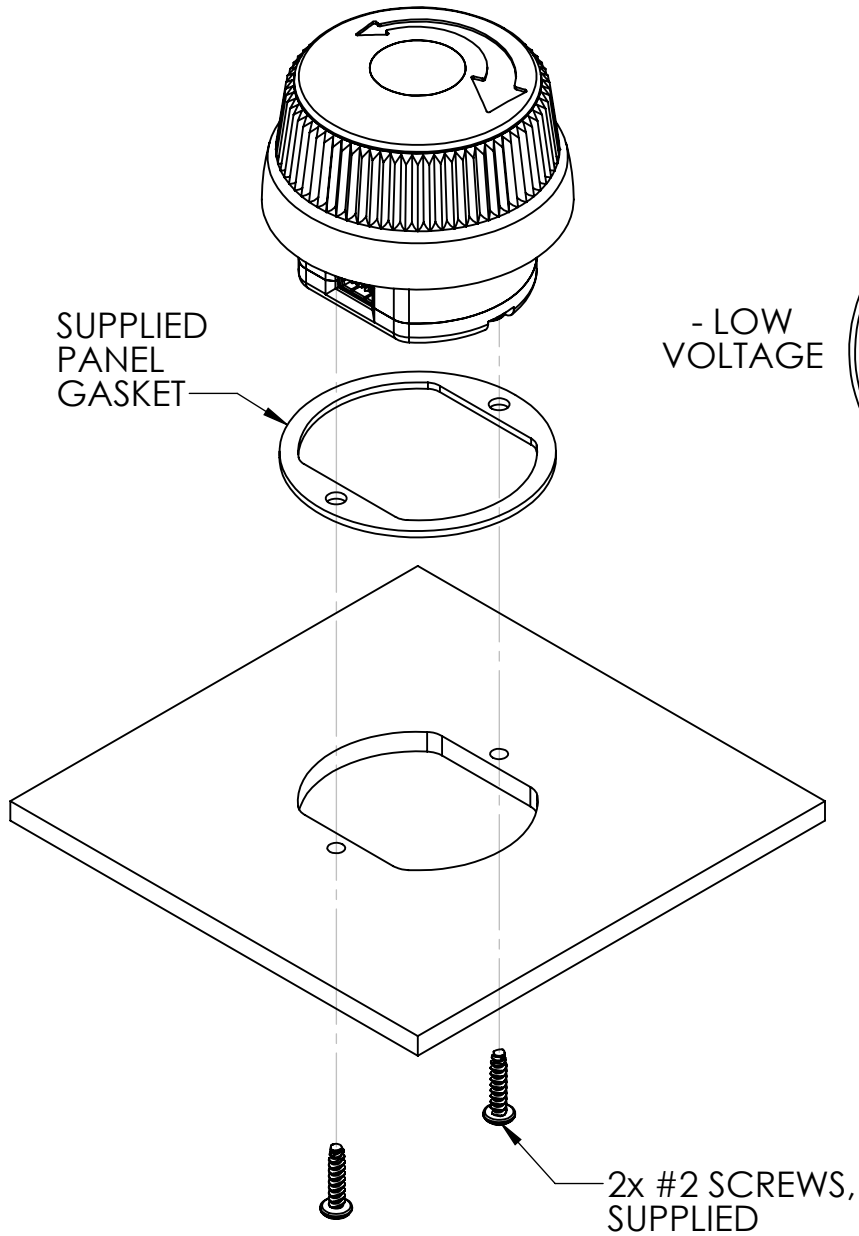
IP RATING: IP67 ABOVE PANEL

\*Extended Testing Levels

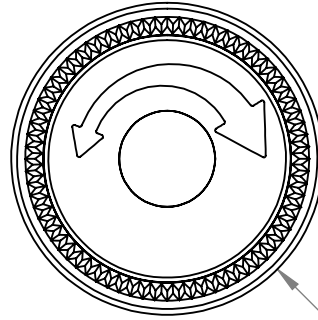
# HCK - MOUNTING OPTIONS

## MOUNTING DIRECTIONS:

1. INSTALL PANEL GASKET.
2. DROP CONTROL KNOB INTO PANEL CUTOUT.
3. INSTALL 2 MOUNTING SCREWS UNDER PANEL.
4. INSTALL SUPPLIED CABLE TO UNIT - SEE SPECIFICATIONS FOR PINOUT INFORMATION

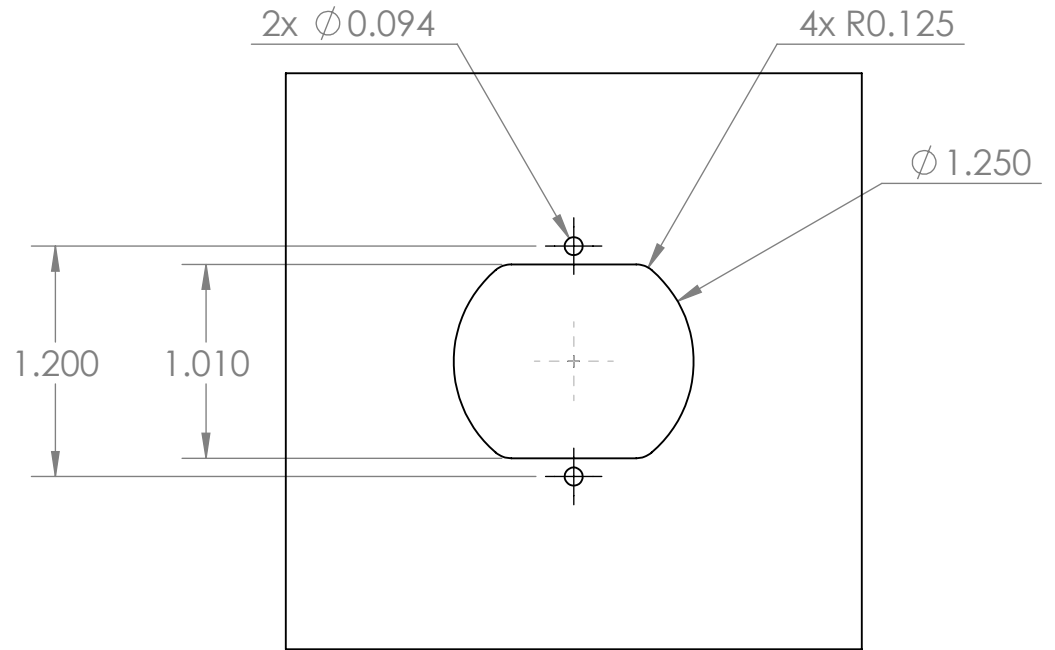
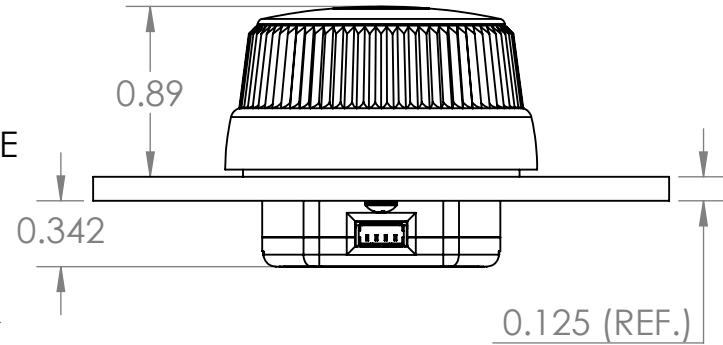


- LOW VOLTAGE



+ HIGH VOLTAGE

$\phi 1.63$



(SCALE 1:1)

**HCK**

SERIES

-



-



-



**OUTPUT OPTION:**

- 1 0V-5V
- 2 0.5V to 4.5V
- 3 0.25V to 4.75V
- 4 1V to 4V

**KNOB OPTION:**

- 1 KNURLED KNOB (STANDARD)

**KNOB COLOR:**

- BK BLACK
- GY GREY