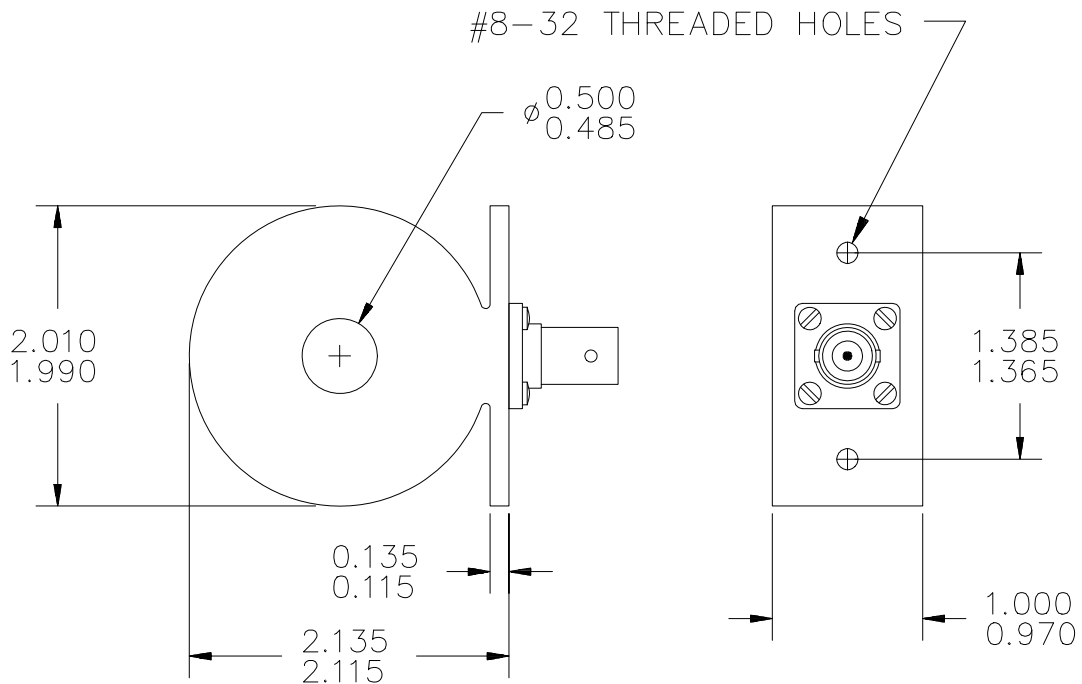


PEARSON™ CURRENT MONITOR MODEL 4100

Sensitivity	1 Volt/Ampere +1/-0%
Output resistance	50 Ohms
Maximum peak current	500 Amperes
Maximum rms current	5 Amperes
Droop rate	0.09 %/microsecond
Useable rise time	10 nanoseconds
Current time product	0.002 Amp-second max*
Low frequency 3dB point	140 Hz (approximate)
High frequency 3dB point	35 MHz (approximate)
I/f figure	0.006 peak Amperes/Hz
Output connector	BNC (UG-290A/U)
Operating temperature	0 to 65 °C
Weight	8.0 ounces

* Maximum current-time product can be obtained by using core-reset bias as described in the *Application Notes*. 0.0006 Ampere-second is typical without bias.

© 1999 Pearson Electronics, Inc. 4100.SPX_990506



Pearson Electronics, Inc. • 4009 Transport Street • Palo Alto, CA 94303
Telephone 650-494-6444 • FAX 650-494-6716 • www.pearsonelectronics.com

擎罡實業有限公司 **TOPE Co., Ltd.**

Tel: (02) 8228-0658 • Fax: (02) 8228-0659 • e-mail: tope@ms1.hinet.net • <http://www.sensor.tw>