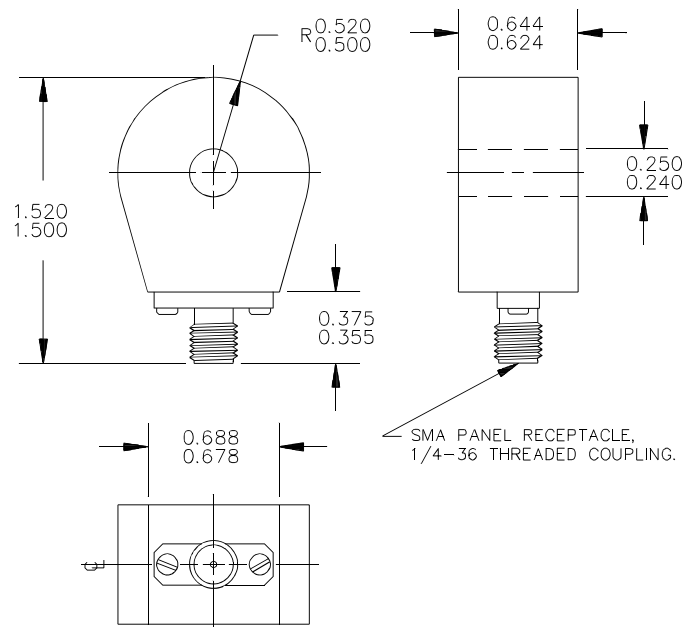


PEARSON™ CURRENT MONITOR MODEL 2879

Sensitivity	0.01 Volt/Ampere +1/-0%
Output resistance	50 Ohms
Maximum peak current	2,000 Amperes
Maximum rms current	25 Amperes
Drop rate	0.002 %/microsecond
Useable rise time	20 nanoseconds
Current time product	0.04 amp-seconds maximum*
Low frequency 3dB point	3 Hz (approximate)
High frequency 3dB point	20 MHz (approximate)
I/f figure	0.25 peak Amperes/Hz
Output connector	SMA
Operating temperature	0 to 65 °C
Weight	1.12 ounces

* Maximum current-time product can be obtained by using core-reset bias as described in the *Application Notes*. 0.014 Ampere-second is typical without bias.

© 1999 Pearson Electronics, Inc. 2879.SPX_990506



Pearson Electronics, Inc. • 4009 Transport Street • Palo Alto, CA 94303
Telephone 650-494-6444 • FAX 650-494-6716 • www.pearsonelectronics.com

擎崑實業有限公司 23552 台北縣中和市中正路716號3樓之4 (遠東世紀廣場 L棟)
Tope Co., Ltd. Tel: (02) 8228-0658 * Fax: (02) 8228-0659 * e-mail: tope@ms1.hinet.net * <http://www.sensor.tw>