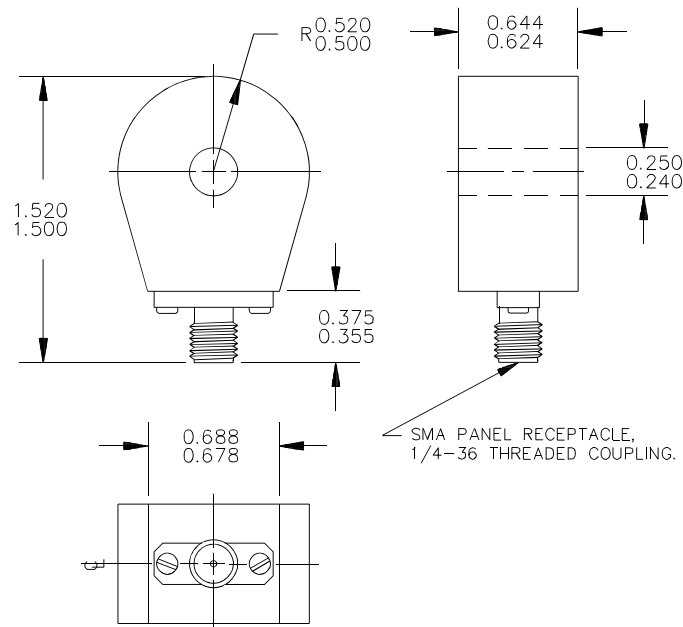


PEARSON™
CURRENT
MONITOR
MODEL 2877

Sensitivity	1 Volt/Ampere +1/-0%
Output resistance	50 Ohms
Maximum peak current	100 Amperes
Maximum rms current	2.5 Amperes
Drop rate	0.2 %/microsecond
Useable rise time	2 nanoseconds
Current time product	0.4 milliamp-sec. maximum*
Low frequency 3dB point	300 Hz (approximate)
High frequency 3dB point	200 MHz (approximate)
I/f figure	0.0025 peak Amperes/Hz
Output connector	SMA
Operating temperature	0 to 65 °C
Weight	1.15 ounces

* Maximum current-time product can be obtained by using core-reset bias as described in the *Application Notes*.
0.14 milliAmpere-second is typical without bias.

© 1999 Pearson Electronics, Inc. 2877.SPX_990506



Pearson Electronics, Inc. • 4009 Transport Street • Palo Alto, CA 94303
Telephone 650-494-6444 • FAX 650-494-6716 • www.pearsonelectronics.com

擎崑實業有限公司 23552 台北縣中和市中正路716號3樓之4 (遠東世紀廣場 L棟)
Tope Co., Ltd. Tel: (02) 8228-0658 * Fax: (02) 8228-0659 * e-mail: tope@ms1.hinet.net * <http://www.sensor.tw>