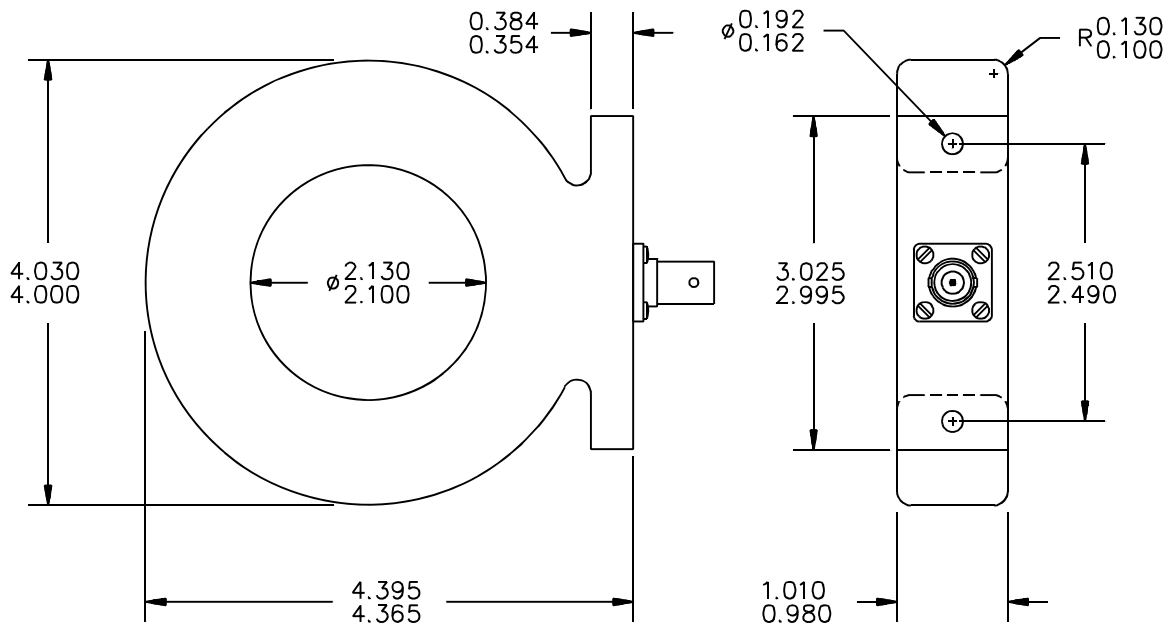


PEARSON™  
CURRENT  
MONITOR  
MODEL 110

Sensitivity	0.1 Volt/Ampere +1/-0%
Output resistance	50 Ohms
Maximum peak current	5000 Amperes
Maximum rms current	65 Amperes
Droop rate	0.8 %/millisecond
Useable rise time	20 nanoseconds
Current time product	0.5 Ampere-second max.*
Low frequency 3dB cut-off	1 Hz (approximate)
High frequency 3dB cut-off	20 MHz (approximate)
I/f figure	1.5 peak Amperes/Hz
Output connector	BNC (UG-290A/U)
Operating temperature	0 to 65 °C
Weight	22 ounces

\* Maximum current-time product can be obtained by using core-reset bias as described in the *Application Notes*.  
0.2 Ampere-second is typical without bias.

© 1999 Pearson Electronics, Inc. 110.SPX-990506



Pearson Electronics, Inc. • 4009 Transport Street • Palo Alto, CA 94303  
Telephone 650-494-6444 • FAX 650-494-6716 • [www.pearsonelectronics.com](http://www.pearsonelectronics.com)

擎罡實業有限公司 **TOPE Co., Ltd.**

Tel: (02) 8228-0658 • Fax: (02) 8228-0659 • e-mail: [tope@ms1.hinet.net](mailto:tope@ms1.hinet.net) • <http://www.sensor.tw>