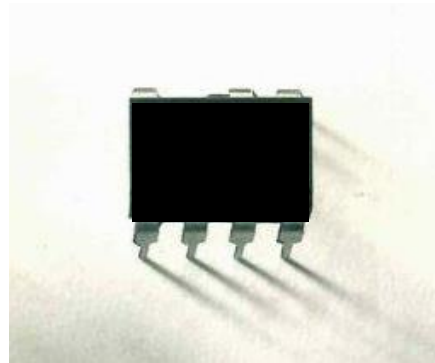


New Product Information

JT209SC/SN (Package Type 8-pin Compact DIP)

SSR for ultra compact AC load



■ Features

1. Maximum Load Current 0.9A
2. Dielectric Strength AC5000V (Input-Output)
3. UL, C-UL Approved
4. Zero-cross and non zero-cross models available

■ Ratings

(Ta=25°C)

Item		Symbols	JT209SC	JT209SN	Units
Output	Rated Load Voltage	/	120, 240		VACrms
	Load Voltage Range	VO	35~280		VACrms
	Maximum Load Current	IoMAX	0.9		AACrms
	Peak 1 Cycle Surge Current	ISURGE	8 (60Hz)		A
	Frequency	f	45~65		Hz
Input	Forward Current	If	50		mA
	Reverse Voltage	VR	6		V
General	Dielectric Strength	VISO	5,000/1 min. (Between input and output) (Rh40~60%)		VACrms
	Isolation Resistance	RISO	10 ¹⁰ and above DC500V (Between input and output) (Rh40~60%)		Ω
	Operating Temperature Range	TOPR	-30~+85		°C
	Storage Temperature Range	TSTG	-40~+125		°C

■ Electrical Characteristics

(Ta=25°C)

Item		Symbols	JT209SC	JT209SN	Units
Output	Off State Leakage Current	ILEK	100 and below (Vdem600V)		μA
	On state Voltage Drop	VSAT	2.3 and below (Io=0.9A, If=20mA, Resistance Load)		VACrms
	Holding Current	IH	25 and below		mA
Input	Forward Voltage	VF	1.4 and below (If=10mA)		VDC
	Reverse Current	IR	10 and below (VR=6V)		μA
	Minimum Trigger Current	IFT	10 and below		mA
General	Operate Time	TON	1/2cycle+1ms and below	1ms and below	/
	Release Time	TOFF	1/2cycle+1ms and below		/
	Zero Cross Turn On	/	Built In	Not Built In	/
	Approved Standards	/	UL, C-UL		/

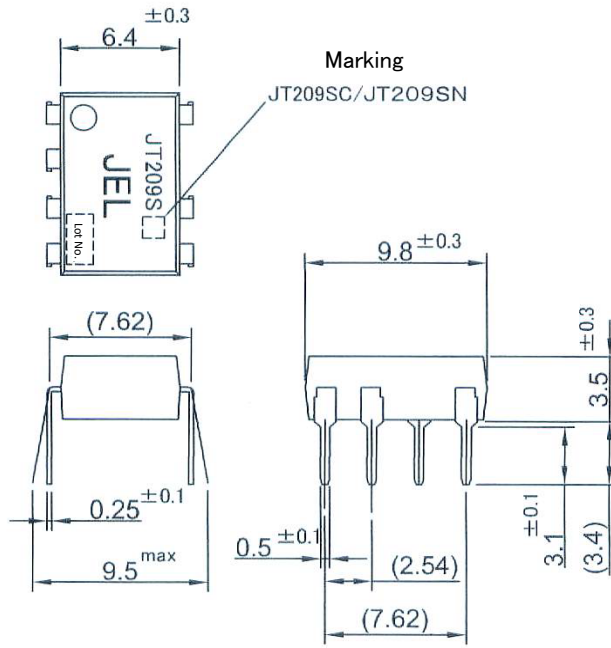
※Description is subject to change without prior notice.



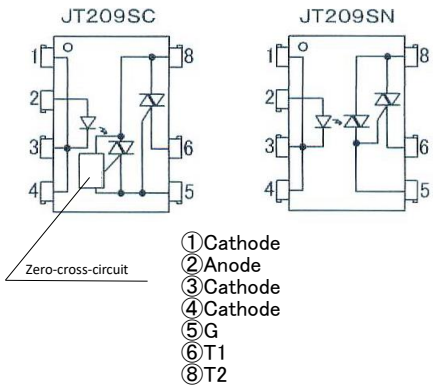
JEL SYSTEM CO., LTD.

Avista Ichigaya Building 8F 4-2-11 Kudan-minami, Chiyoda-ku Tokyo, 102-0074 Japan
 tel : +81-3-5211-5612 / fax : +81-3-5210-3022 URL : <https://www.jelssystem.co.jp>
 e-mail : contact1@jelssystem.co.jp

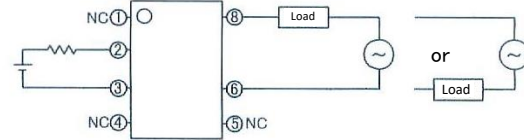
■ Dimensions (mm)



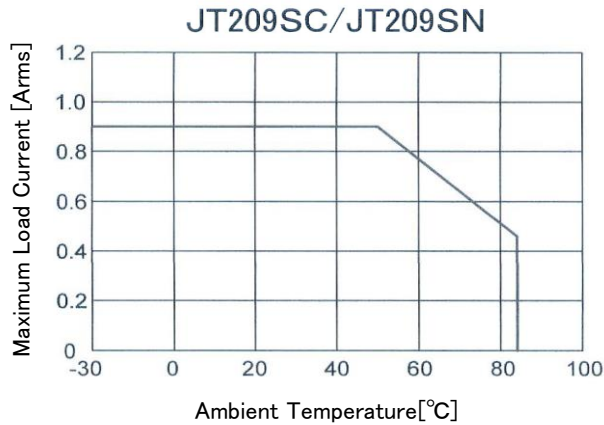
■ Equivalent Circuit



■ Connection Diagram



■ Maximum Load Current VS Ambient Temperature



※Description is subject to change without prior notice.